

SUMAX SPD MAINTENANCE INSTRUCTIONS

**ALWAYS WEAR GLOVES
AND SAFETY GLASSES
TOOLS REQUIRED:
PHILLIPS HEAD SCREWDRIVER**

EVERY TWO WEEKS OR DEPENDENT UPON USAGE WITH CORROSIVE SOLVENTS AND ACIDS, PLEASE EXECUTE THE FOLLOWING STEPS:

- OBTAIN A PHILLIPS HEAD SCREWDRIVER
- INSURE THAT GLOVES AND SAFETY GLASSES ARE BEING WORN
- USING PHILLIPS HEAD SCREWDRIVER REMOVE THE THREE SCREWS THAT SECURE THE SUMAX SPD (place screws in a safe place)
- REMOVE THE SUMAX SPD BY LIFTING IT STRAIGHT UP, USING THE ROTOR HOLD DOWN KNOB
- PLACE THE SUMAX SPD IN A PLASTIC CONTAINER
- RINSE THE SUMAX SPD THOROUGHLY UNDER RUNNING TAP WATER TO RID OF ALL DEBRIS AND RESIDUE
- WIPE THE INSIDE OF THE SPEEDVAC® CONCENTRATOR WITH A DAMP PAPER TOWEL
- WIPE THE SUMAX SPD DRY WITH A PAPER TOWEL
- PROPERLY DISPOSE OF THE COLLECTED WATER AND PAPER TOWELS INTO SPECIALLY DESIGNATED CONTAINERS
- RETURN THE SUMAX SPD TO ITS ORIGINAL POSITION INSIDE THE CONCENTRATOR CHAMBER, ALIGN HOLES OF SUMAX SPD WITH THREADED HOLES IN CHAMBER
- REINSTALL THE 3 SCREWS INTO THE THREADED HOLES
- TIGHTEN THE 3 SCREWS SECURELY
- TIGHTEN THE ROTOR HOLD DOWN KNOB FIRMLY WITH ONE QUARTER TURN AFTER FLUSH WITH THE KNOB SUPPORT.

DO NOT OVERTIGHTEN!

IF YOU ENCOUNTER DIFFICULTIES WITH THIS PROCEDURE PLEASE CONTACT THERMO.

SUMAX SPD UPPER MAGNETIC ASSEMBLY DRAWING

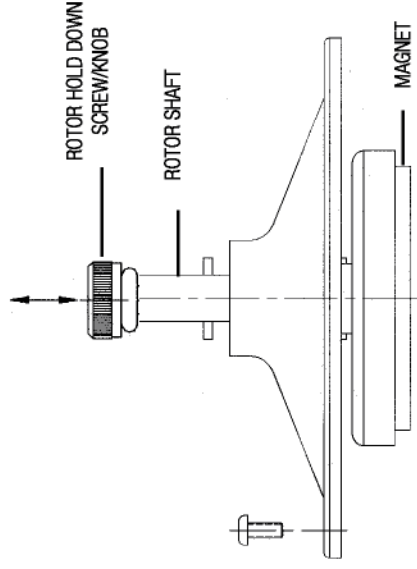


PHOTO LOOKING DOWN INTO SPEEDVAC® CHAMBER AT SUMAX SPD UPPER MAGNETIC ASSEMBLY

